

# Water Level Control System For Steam Boilers

## Sequencing blowdown valves

Sequencing blowdown valve is designed to function as a manually operated combined water isolating valve and sequencing valve. it provide positive purging of the water connection, float chamber and steam connection of a boiler control. steam or hot water boilers, vessels and general relief applications.



## Size of sequencing valve

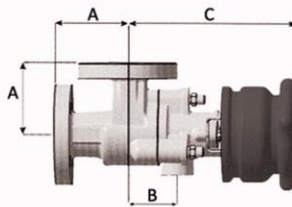
P: pitch circle dia.

O: dia. of holes

N: num. of holes

F: outside flange dia.

T: flange thickness



Model		Size		Dimensions						
Class	DN	in	F	T	N	O	P	A	B	C
BD.S.GI-PN16	25	1"	115	18	4	14	85	83	54	219
BD.S.A3-PN40	25	1"	115	18	4	14	85	83	54	219

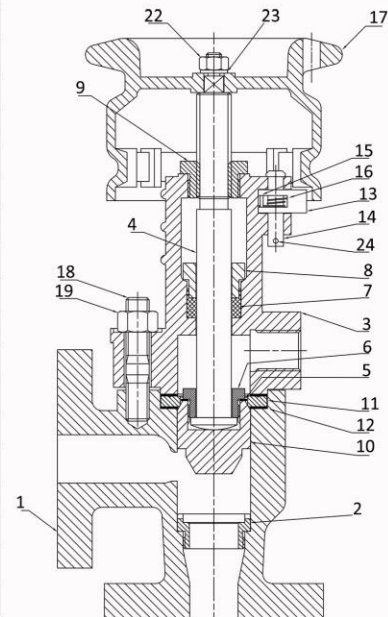
## Limiting condition of sequencing valve

Specifications		
Feature	BD.S.GI	BD.S.A3
Body material	Cast iron BS1452-G220	Bronze-Gunmetal
Max. working pressure (bar)	13	21
Flange	BS.4504-PN16	BS.4504-PN40

## Water Level Control System For Steam Boilers

### Material of sequencing valve

NUM.	Part Name	Material
1	Water Leg	Cast iron(GG25)   Gunmetal
2	Water Leg valve seat	Stainless steel
3	Stuffing box	Cast iron (GG25)
4	spindle	Stainless steel
5	Tab washer	Copper
6	Retaining nut	Stainless steel
7	Gland packing	Teflon packing
8	Gland follower	Stainless steel
9	ACME THRD nut	Brass
10	Valve Lid	Nickel alloy
11	Blow down seat	Nickel alloy
12	Gasket	Compress fiber with binder
13	Pawl	Brass
14	Pawl pin	Stainless steel
15	Pawl spring pin	Stainless steel
16	Pawl spring	Stainless steel
17	Hand wheel	Aluminum
18	Stud	steel
19	Hexagon nut	steel
20	Stud	steel
21	Hexagon nut	steel
22	Hexagon nut	steel
23	Plain washer	steel
24	Split pin	steel



### How to order sequencing valve

Working pressure and temperature (bar g , C)

Connection type

Mounting type