



62CV



62V



62H



62EA

Application

- ✓ Food & dairy industries, breweries
- ✓ Chemical & petrochemical plants
- ✓ Dryers, ovens, tanks
- ✓ Industrial applications demanding more precise reading

Special Features

- ✓ Wide measuring range (-50 ... +450 °C)
- ✓ Battery Operation (2 x 1/5 V AA Alkaline)
- ✓ LCD display with 5 digits
- ✓ Backlight
- ✓ Unit conversion (°C & °F)
- ✓ Maximum memory (Peak record)
- ✓ IP65

Description

There are industrial applications demanding a more precise reading in compare with mechanical temperature gauges and it's when InstruMate digital temperature gauge series 62 comes into practice.

With their clear 5 digit display and their very sensitive sensors, they leave no doubt in temperature measurement within their promised accuracy. Battery life of this industrial digital thermometer is at least 2 years which means hassle-free digital reading at extremely cheap cost.

Standard Measuring Ranges and Their Accuracy

Gauge Temperature Ranges (°C)	Accuracy
0...100	± 0.5 °C
-20...200	± 1 °C
-50...450	± 2 °C

Default Specification

Serial Number	Nominal Size in mm
Laser marked on case	100
Sensor	Process Connection
PT100, Class A	SS316 ½ BSP
Battery	Battery Life
2 x ½ V AA Alkaline	Two years
Ingress Protection	Cycle Life
IP65	6 million cycles
Display	Ambient Temperature
5 Digit LCD Size: 68 x 38 mm	-10...+60 °C
Long-Term Stability	Protection
≤ 0.15 % of span	Protected against reverse battery polarity
Mounting	Reference Conditions
Lower Mount: 62V Back Mount: 62H Every Angle: 62EA Capillary, Lower Mount: 62CV Capillary, Back Mount: 62CH	Temperature: 0...60 °C Atmospheric Pressure: 860...1060 mbar Humidity: < 90% (non-condensing)
Stem Diameter in mm:	Stem Lengths in mm
6	100, 150, 200, 300
Capillary length for 62CV & 62CH in meter	Case
1, 3, 6, 12	SS304, Battery lid backside of case

Options

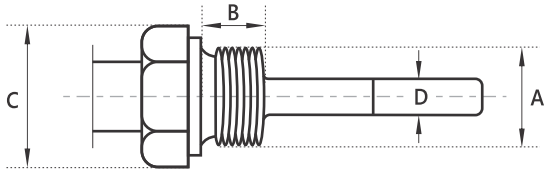
✓ Other temperature ranges

✓ 8mm or 10mm stem diameter

Connection Designs

1. Fixed male thread connection

Minimum insertion length: 63mm for bottom connection
50mm for back connection

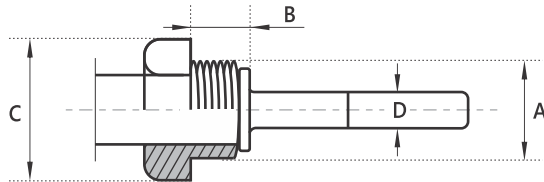


A: Male thread
B: Thread length
C: Spanner width
D: Stem diameter

Nominal Size in mm	Process connection		Dimensions (in mm)		Connection Code
	A	B	C	D	
100	G 1/4 B	12	19	6	1B4
	G 1/2 B	14	27	6	1B2
	M18 x 1.5	12	24	6	1-M18 x 1.5
	1/2 NPT	19	24	6	1N2

2. Male Nut (turning connection)

Minimum insertion length: 80mm

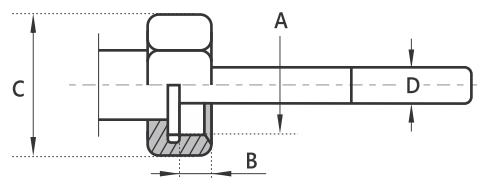


A: Male thread
B: Thread length incl. collar
C: Spanner width
D: Stem diameter

Nominal Size in mm	Process connection		Dimensions (in mm)		Connection Code
	A	B	C	D	
100	G 1/2 B	20	27	6	2B2
	M18 x 1.5	17	22	6	2-M18 x 1.5

3. Union Nut (female connection)

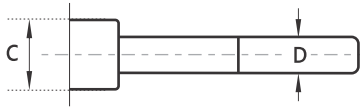
Minimum insertion length: 89mm



A: Female thread
B: Thread length
C: Spanner width
D: Stem diameter

Nominal Size in mm	Process connection		Dimensions (in mm)		Connection Code
	A	B	C	D	
100	G 1/2	8.5	27	6	3B2
	G 3/4	9.5	32	6	3B3

4. Stem without thread

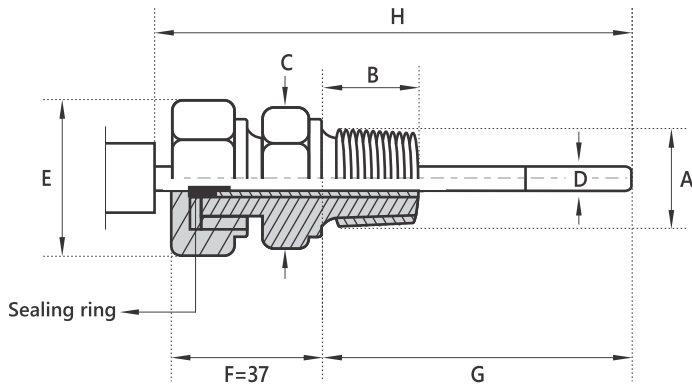


C: Plain diameter
D: Stem diameter

Nominal Size in mm	Dimensions (in mm)		Connection Code
	C	D	
100	18	6	000

5. Compression Fitting (Sliding Connection)

Insertion length G = variable
Length H = G + 37 mm

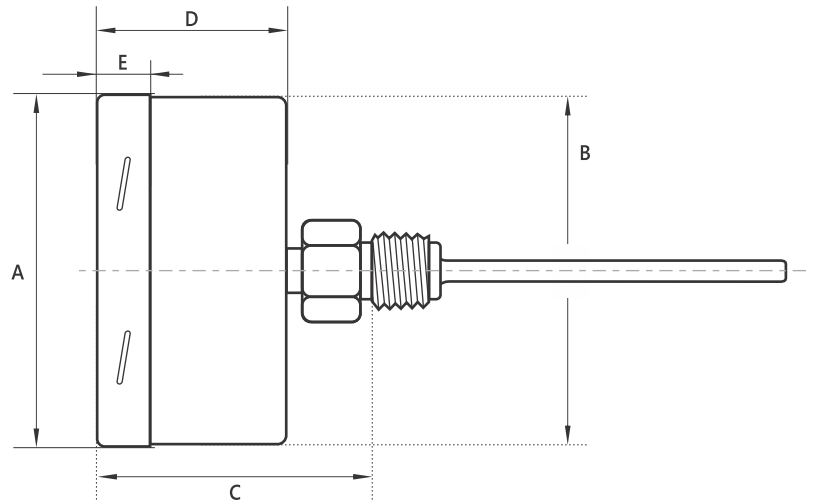


A: Male thread
B: Thread length
C: Spanner width
D: Stem diameter

Nominal Size in mm	Process connection	Dimensions (in mm)				Connection Code
	A	B	C	D	E	
100	G 1/4 B	8	22	6	27	5B4
	G 1/2 B	14	27	6	27	5B2
	M18 x 1.5	12	24	6	27	5-M18 x 1.5
	1/2 NPT	19	22	6	27	5N2
	G 3/4 B	16	32	6	27	5B3
	3/4 NPT	20	30	6	27	5N3

Dimensions (in mm)

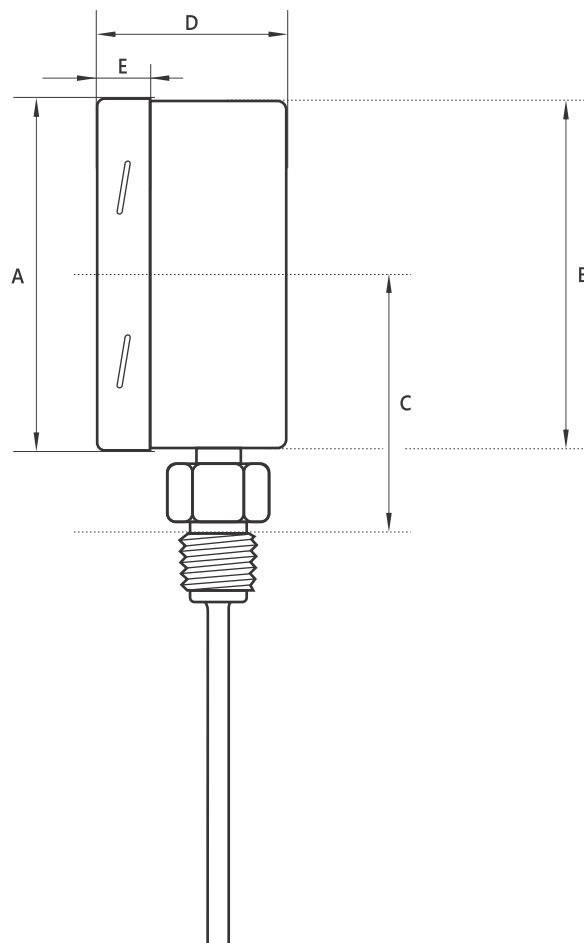
■ Back Mount



62H

NS	A	B	C	D	E
100	101	98	71	48	16

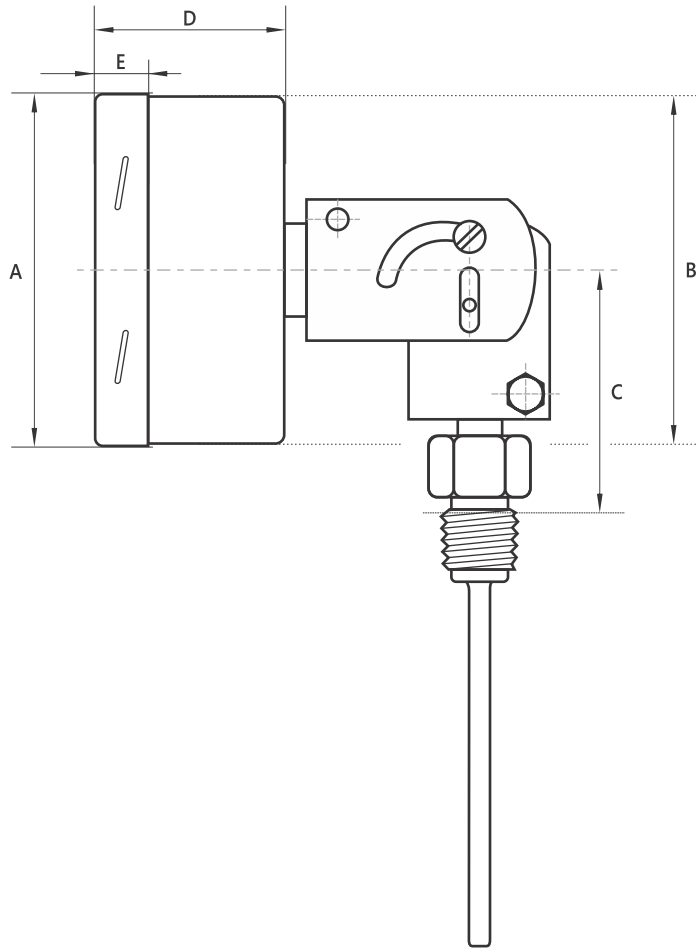
■ Lower Mount



62V

NS	A	B	C	D	E
100	101	98	71	49	16

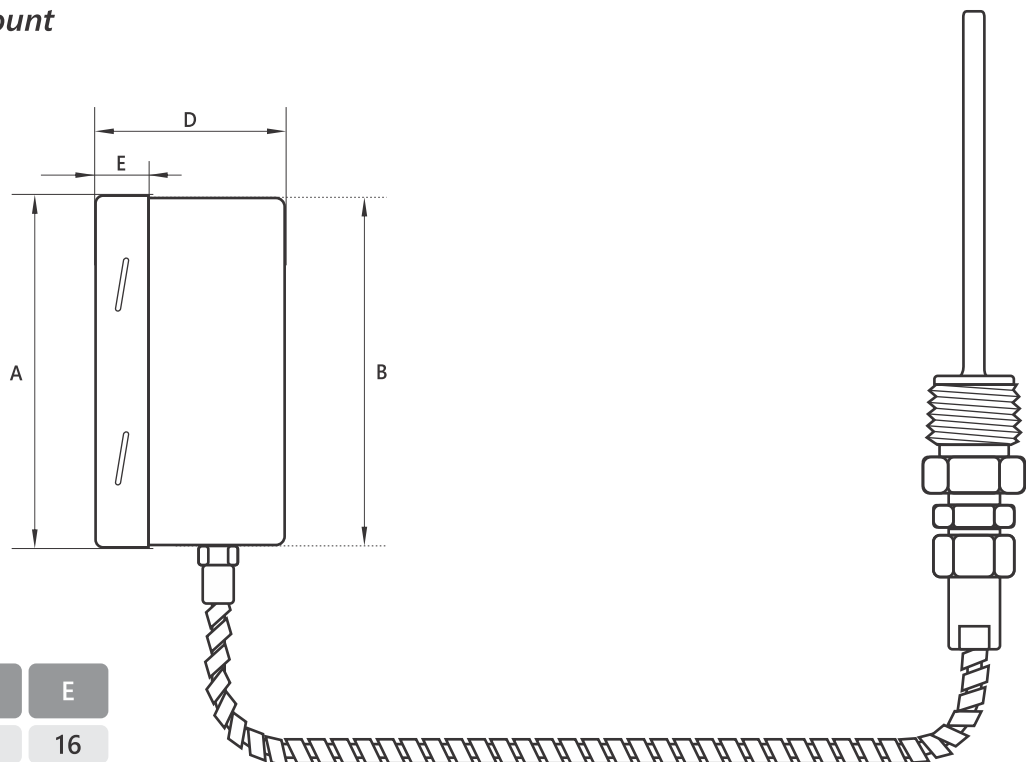
■ *Every Angle*



62EA

NS	A	B	C	D	E
100	101	98	62	48	16

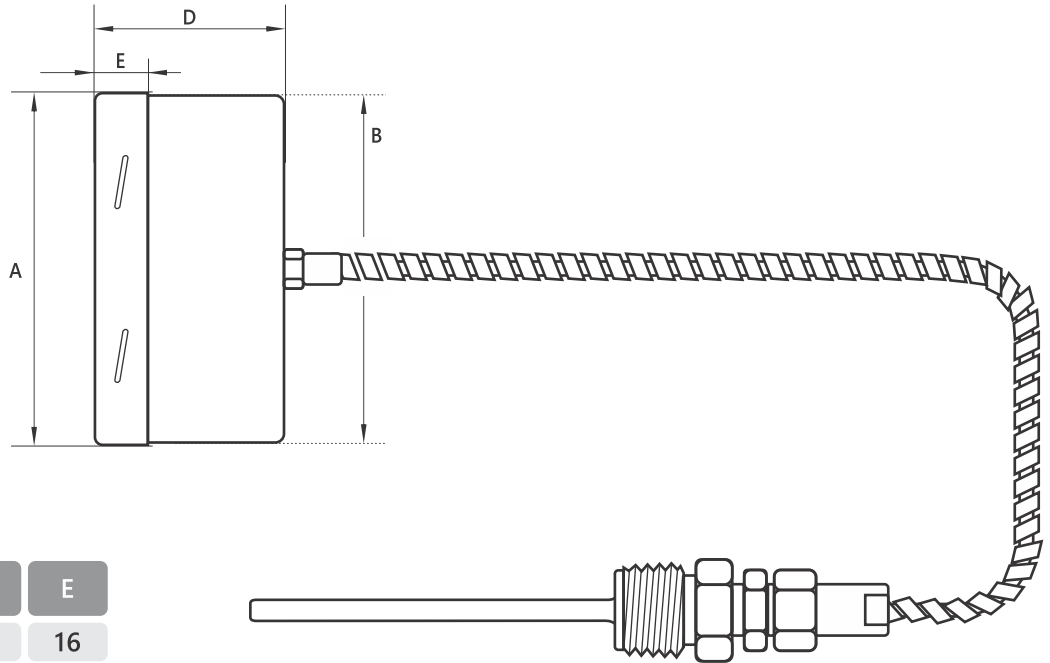
■ *Capillary, Lower Mount*



62CV

NS	A	B	D	E
100	101	98	51	16

■ Capillary, Back Mount



62CH

NS	A	B	D	E
100	101	98	51	16

11/2022 (InstruMate mission is continuous improvement. Always download the latest datasheet from website).

How To Order

	Product Group Name	Model	Mounting	Stem Length	Connection Code	Measuring Range	Options
Example:	Digital Temperature Gauge	62	EA	150	5N2	-50 ... 450 °C	-

Or simply order by item number on the basis of your previous purchases.

InstruMate®

InstruMate Co, Limited

www.Instrumate.com | info@Instrumate.com