



Application

- ✓ Calibration of pressure gauges
- ✓ Test and measurement
- ✓ Hydraulic and Pneumatic test kits

Special Features

- ✓ Wide measuring range (from 0...1bar to 0...1000 bar)
- ✓ Excellent accuracy for its price range ($\leq 0.25\%$)
- ✓ Battery Operation (2x1.5 AAA)
- ✓ LCD display with 5 digits
- ✓ Backlight
- ✓ Unit conversion
- ✓ Maximum memory (Peak record)
- ✓ Bar graph display
- ✓ IP65

Description

Cal-Mate 3203 is the essential digital pressure gauge for a calibration facility. It is designed to withstand ingress protection demanding conditions and the accuracy of 0.25% ensures you can use it to calibrate all pressure gauges with 2.5, 1.6 and 1% accuracy class as explained in EN837-1.

There is a backlight function for places with poor lighting condition. The bar graph on the display indicates applied pressure in relation with the total nominal pressure of the instrument; a great assistant to avoid over-pressure.

You can retrieve the maximum value experienced by the instrument just by pushing the button. As easy as that will also be switching the units of pressure among a handful of common pressure units.

InstruMate 3203 is designed to have automatic power off for battery saving purpose. This industrial digital pressure gauge can be easily set to zero or tare function.

Measuring Ranges

Gauge pressure ranges (bar)	Permissible over-pressure
0...1	200%
0...1.6	200%
0...2.5	200%
0...4	200%
0...6	200%
0...10	200%
0...16	200%
0...25	200%
0...40	200%
0...60	200%
0...100	200%
0...160	150%
0...250	150%
0...350	150%
0...400	150%
0...600	120%
0...700	120%
0...1000	120%

Vacuum & Compound ranges (bar)	Permissible over-pressure
-1...0	-
-1...3	150%
-1...10	150%
-1...15	150%
-1...24	150%

Default Specification

Pressure units	Nominal size in mm
bar, psi, kpa, Mpa, pa, kgf/cm2, mmHg	100
Process Connection	Cycle life
SS316 G 1/2	6 million cycles
Battery	Battery life
2 x 1.5 V AAA	about 2200 hours
Temperature Effect	Reference conditions (temperature effect)
± 0.02 x (t ₂ -t ₁) % of the span t ₁ is the Reference temperature in degrees celsius. t ₂ is the Medium temperature in degrees celsius.	Temperature: 0...60 °C Atmospheric pressure: 860...1060 mbar Humidity: <90% (non-condensing)
Permissible Temperature	
Ambient: -20...+60 °C	Medium: -20...+80 °C
Zero point adjustability	Long-term stability
via tare function (±1%)	≤ 0.1% of span
Ingress protection	Accuracy
IP65	±0.25% of span (ASME B40.7 Grade 3A)
Case	Display
SS304, battery lid backside of case	5 digit LCD

Options

✓ Other process connection

✓ Special pressure ranges

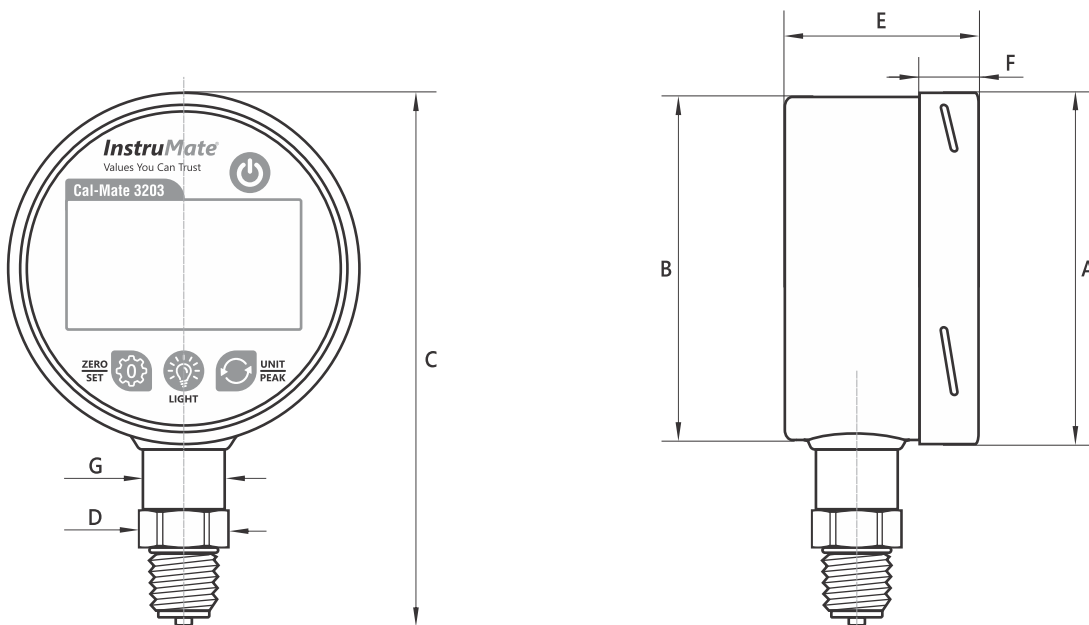
Extra accessories

Item	Order code
Adaptor G 1/2 female to 1/2 NPT male	320300025
Adaptor G 1/2 female to M20x1.5	320300026
Adaptor G 1/2 female to G 1/4 male	320300027
Adaptor G 1/2 female to 1/4 NPT male	320300028

* In case you ordered a process connection other than 1/2 BSP, explain about your required adaptors in the order.



Dimensions (in mm)



Nominal Size	A	B	C	D	E	F	G	KG
100	100	98	155	27	48	16	26.3	0.46

Thread Type	Code
NPT	N
BSPP (G)	B
Metric	M

Thread Size	Code
1/4	4
1/2	2
for metric sizes write the number	M20×1.5

How To Order

	Product Group Name	Model	Thread Type	Thread size	Scale Range	Option	Option
<i>Example:</i>	Cal-mate	3203	B	2	0...100bar	320300025	320300026

Or simply order by item number on the basis of your previous purchases.

InstruMate®

InstruMate Co, Limited

www.Instrumate.com | info@Instrumate.com