

## SFV 500 Safety Valve

### Description

The SFV500 is a full lift, full nozzle safety valve  
 Suitable for Steam, air, inert industrial gas and non-hazardous service.  
 this valves have close bonnet, lifting lever and metal on metal seal.  
 SFV500 is designed according to BS 6759 parts 1, 2 and 3.



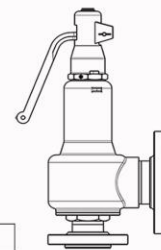
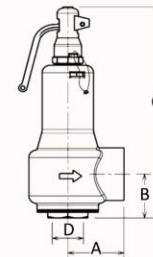
### Applications

SFV500 is suitable for:  
 steam or hot water boilers, vessels and general relief applications.

### Sizes and pipe connections

Size	Connection		A	B	C	D	weight
	inlet	outlet					
DN 20	¾"	1-¼"	55	44	229	20	2.4
DN 25	1"	1-½"	60	48	242	24	2.9
DN 32	1-¼"	2"	70	58	279	29	4.2
DN 40	1-½"	2-½"	81	67	365	37	8.8
DN 50	2"	3"	96	80	420	46	13

Connections: Screwed and Flanged type  
 Dimensions are approximate and in mm.



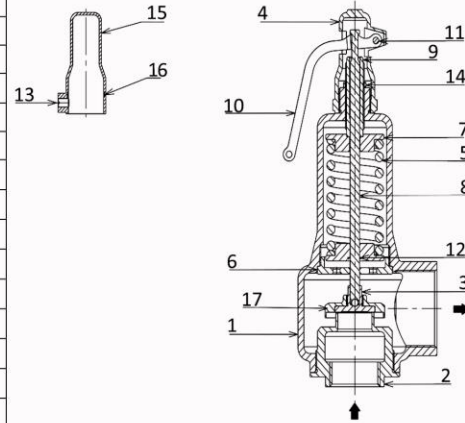
### Limiting Conditions

Body design	PN 25	
Set pressure range	DN 20 to DN32	0.3 to 18 bar
	DN40 and DN50	.3 to 14 bar
Temperature range	Stainless steel seat	-90°C to +300°C
Max. cold hydrostatic test pressure	38 bar	

## SFV500 Safety Valve

### Material

NUM.	Part name	Material
1	Body	Bronze
2	Nozzle	Stainless steel
3	Disk	Stainless steel
4	Lever housing	Bronze
5	Spring	Alloy steel
6	Steam guide	Brass
7	Spring end plate	Brass
8	Stem	Stainless steel
9	Adjustment screw	Brass
10	Lever	SG iron
11	Pivot pin	Stainless steel
12	Circlip	Stainless steel
13	Grub screw	Alloy steel
14	Adjuster lock nut	Brass
15	Gas tight cap	Bronze
16	Gas tight cap seal	Nit rile
17	Skirt	Brass



### Capacities for saturated steam

Valve DN	20/32	25/40	32/50	40/65	50/80
Area(mm <sup>2</sup> )	314	452	661	1 075	1 662
Set pressure (bar g)	flow capacity for saturated steam (kg/h)				
5.0	733	1 055	1 543	2 510	3 880
10	1 348	1 940	2 837	4 613	7 132
15	1 962	2 824	4 130	-	-

### Installation

- the centre line of the spring housing should be vertically above the valve.
- the inlet connection to the valve should be as short as possible and no smaller in area than the flow diameter of the valve.
- the outlet pipe work should also be short, of a size no smaller in area than the valve outlet bore size.
- for steam or air service, discharge lines should rise vertically and should be fitted with drain.
- pipe work should be supported.

### How to order

size : DN 20,25,32,40,50

working pressure & temperature (bar g),(C)

set pressure:---(bar g)

condition of gas or liquid medium