**122ABL63**

Similar item: 122AA

Application

- ✓ Low pressure/vacuum measurement of gas and dry air
- ✓ Medical and agricultural machinery
- ✗ **Do not use** for medias that are viscous, crystallizing and corroding copper alloy

Special Features

- ✓ Reliable capsule measuring system made of copper alloy
- ✓ Zero adjusting screw on dial
- ✓ Strong design with full stainless steel case and bezel
- ✓ Thin pointer design

Description

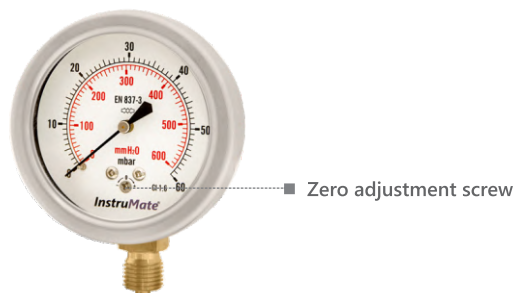
InstruMate low pressure gauge model 122AB alongside with 122AA are the strongest design for a low pressure gauge with brass connection. The case in this capsule pressure gauge is Outside Bayonet (openable) which makes it easy to recalibrate and adjust the pressure gauge if needed. Outside bayonet bezel provides you with the advantage of a little bigger dial face within the same nominal size, thus easier reading.

Choosing reliable capsule measuring system assures you can rely on it for any low pressure monitoring with medias not attacking copper alloys.

All InstruMate pressure gauges have geometrically balanced dial designs to make gauge readings easier

Default Specification

Design	Nominal sizes in mm
EN 837-3	63, 100
Process Connection	Pressure Limitations
Copper alloy NS 63: G 1/4 NS 100: G 1/2	Steady: 100% of full scale Fluctuating: 90% of full scale
Scale Range	Temperature Effect
NS 63: 0...25 to 1000 mbar NS 100: 0...16 to 1000 mbar Vacuum & compound ranges	$\pm 0.055 \times (t_2 - t_1)$ % of the span t_1 is the Reference temperature in degrees celsius. t_2 is the Ambient temperature in degrees celsius.
Ingress Protection	Permissible Temperature
IP43	Ambient: -20...+60 °C Medium: +90 °C Maximum
Pressure units	Pressure Element
mbar/mmWC (other pressure units available on request)	Copper alloy Capsule system
Pointer	Accuracy
Aluminum (thin), Black	1.6% of full scale
Window	Dial
Glass	Aluminum
Case	Movement
Matte SS304	Copper Alloy

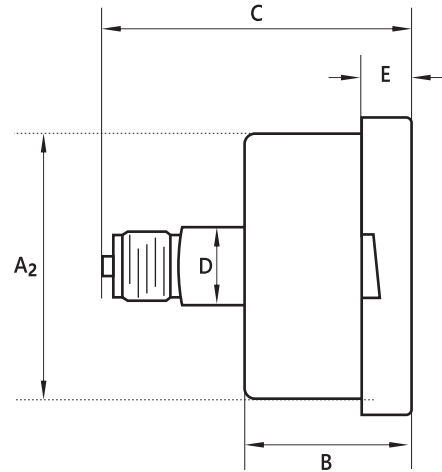
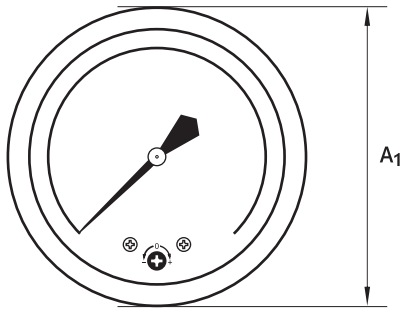


Options

- ✓ Requested process connections other than stated in the table
- ✓ Accuracy Class 1% (only for 100mm dial size)
- ✓ Up to 400% overpressure safety
- ✓ Pressure Ranges as low as 0...10 mbar or -5...+5 mbar (only with 100mm dial size)
- ✓ Blow out disk on backside of case, safety glass as window

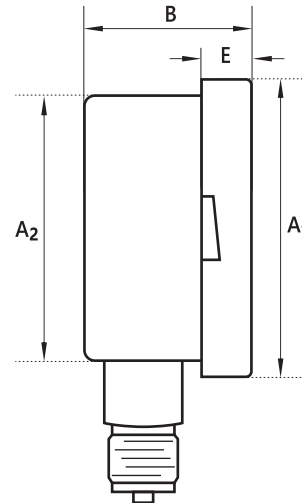
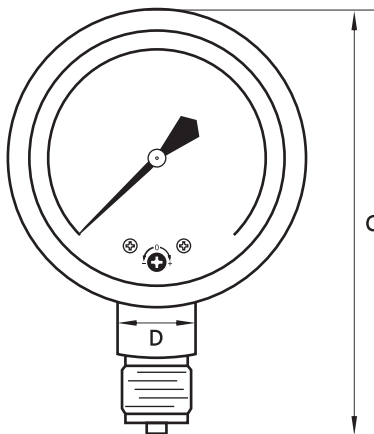
Dimensions (in mm)

■ Center Back Connection



Nominal Size	A ₁	A ₂	B	C	D	E	KG
63	73	65	36.5	62	14	10	0.248
100	110	99	48	90	22	14	0.58

■ Bottom Connection



Nominal Size	A ₁	A ₂	B	C	D	E	KG
63	73	65	36.5	95	14	10	0.198
100	110	99	48	147	22	14	0.56

Thread Type	Code
NPT	N
BSP	B
BSPT	Z
Metric	M

Thread Size	Code
1/4	4
1/2	2
3/8	3
1/8	8
for metric sizes write the number	M20×1.5

How To Order

Product Group Name	Model	Mounting	Nominal Size	Thread Type	Thread size	Scale Range	Options
<i>E.g.</i> Capsule Pressure Gauges	122AB	L	63	B	4	0...40mbar/mmH2O	-

Or simply order by item number on the basis of your previous purchases.

InstruMate®

InstruMate Co, Limited

www.instrumate.com | info@instrumate.com