

Eshteal Arak Industrial Engineering Company is the only manufacturer of high-capacity rotary cup burners in the country, and these burners are used by all boiler companies in the country. Among the unique products produced by this company are power valves that are designed for saturated and superheated steam lines. This product was produced for the first time in the country in 2014 in the Mobarake steel complex and at a pressure of 70 bar It has been used successfully Eshteal Arak Industrial Engineering Company has been modernizing its production lines since 2003 and is currently equipped with more than 98 machines, 61 of which are CNC lathes and milling centers (referred to at the end), stepped into the field of producing products with modern sophisticated technology It should be mentioned that this company has succeeded in obtaining the knowledge-based badge on burners and valves during two consecutive periods, and in order to enhance the brand and satisfy customers, the necessary standards such as ISIRI 7595, ISIRI 7594, ISO 3834, ISO 9001:2015 and implemented 5S



The valves in this range are ideally suitable for boiler stop valve and also general purpose stop/regulating valve duties. The material of the body is Cast Iron up to the maximum pressure of 13bar and Cast Steel up to the maximum pressure of 21bar.

This valve is available in the sizes of 2 1/2", 3", 4", 14", 10", 8", 7", 5"

Glob Stop valve



ESHTEAL ARAK

INDUSTRIAL ENGINEERING CO.
Manufacturer of burners, valves
and precision tools for steam boilers

☎ 086-34121313-5

☎ 09908136277 (sales)
☎ 09912709038 (after sales)

☎ 086-34131217

✉ eshteal.arak@gmail.com
✉ eshteal.commerce@gmail.com

📷 eshteararak

📍 Factory: Hadid St-Haji Abad Industrial Zone 7th km
of Qom Road-Arak-Iran

📍 Head office: 4th floor-No.3 Apartment Asef Vaziri
alley southern Bahar St Taleghani St-Tehran-Iran

Globe stop valve

Type CGV

Description

The combination of simple design, high quality materials and high standard of production results in an easily maintained valve, capable of long and efficient service under high load conditions.

Applications

The valve in this range is ideally suitable for boiler stop valve and also general-purpose stop/regulating valve duties.



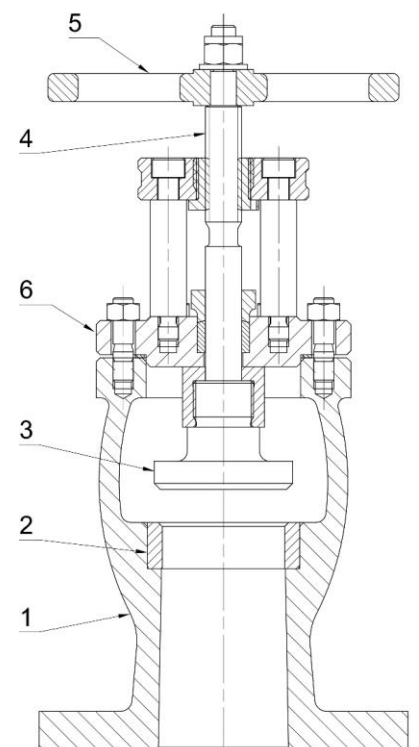
Limiting conditions

Pressure / temperature rating

Flange Standard	BS 10 Table F	BS 10 Table H
Temperature (°C)	210	200
Max. Working pressure (bar)	11	20

Materials

Item	Part Name	Material	
1	Body	Cast steel	Cast Iron
2	Seat	Stainless steel	
3	Disc	Bronze	
4	Stem	Stainless steel	
5	Hand wheel	Cast iron	
6	Bonnet	ST52	



Size and pipe connections

Dimensions (approx.) in mm

Body material	Dimensions and Standard of Flange									
	BS 10 Table F (Inlet and outlet)									
	Size	D	N	O	P	A	B	W	H	
Cast iron	2 ½" DN65	184	8	18	146	148	148	190	300	
	3" DN80	203	8	18	165	180	156	190	350	
	4" DN100	229	8	18	191	173	181	215	360	
	5" DN125	280	8	22	235	203	203	215	465	
	7" DN175	337	12	22	292	285	267	565	585	
	8" DN200	368	12	22	324	303	289	565	650	
Cast steel	BS 10 Table H (Inlet and outlet)									
	2 ½" DN65	184	8	18	146	148	148	190	300	
	3" DN80	203	8	18	165	180	156	190	350	
	4" DN100	229	8	18	191	173	181	215	360	
	5" DN125	280	8	22	235	203	203	215	465	
	7" DN175	337	12	22	292	285	267	565	585	
	8" DN200	368	12	22	324	303	289	565	650	
	10" DN250	432	12	24	381	360	347	565	715	
14" DN350	552	16	26	495	428	428	565	1030		

Inlet and Outlet flange

N = No. of holes
O = Dia. of holes
P = Pitch circle dia.

