



Application

- ✓ Refrigeration and air conditioning systems
- ✓ Stop or start of fans in air-cooled condensers
- ✓ With control circuit of DC motors or large AC motors
- ✓ Connect directly to a single-phase AC motor (Max. 2kw)
- ✓ Non-corrosive media like oil, water and air

Special Features

- ✓ Snap-action SPDT contacts
- ✓ Compact design
- ✓ Fully welded bellows
- ✓ Promised switch accuracy $\leq 2\%$
- ✓ Adjustable on site

Description

Do you need to protect your refrigeration system from excessively low suction pressure or excessively high discharge pressure with economic prices? Switch-Mate 221 is the answer. They are reliable to start or stop your refrigeration compressors or fans on air-cooled systems. They are easy to set up followed with the instruction manual. InstruMate model 221 offers various application possibilities with non-corrosive media like oil, water and air.

Default Specification

Ambient Temperature	Media Temperature Inside the Pressure Switch
-40...+65 °C	-25...+65 °C
Rated Impulse Voltage	Short Circuit Protection Fuse
4kV	16A
Insulation	Connection
400V	Free cutting steel, Nickel plated

Reference Conditions

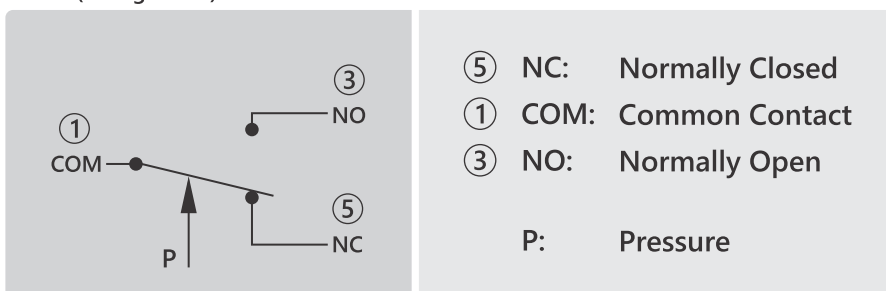
Relative Humidity per BS 6134	Non-Repeatability of the Switch Point
< 50 % r. h. at 40 °C [104 °F] < 90 % r. h. at 20 °C [68 °F]	≤ 2 % of span

Electrical Rating

Rated Voltage	125 V AC	250 V AC	24 V DC
Non-inductive current	20A	10A	10A
Inductive full load	15A	8A	8A
Inductive Instrument current	72A	72A	64A

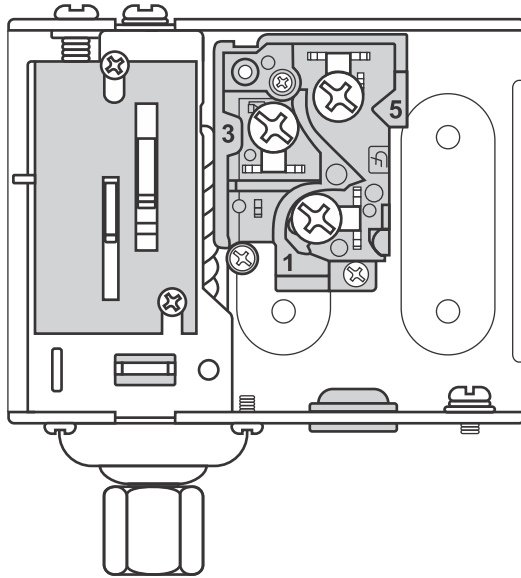
Switch Contact

SPDT¹ (change over)



1. Single pole double throw

Terminal Assignments



- 5 NC: Normally Closed
- 1 COM: Common Contact
- 3 NO: Normally Open

Pressure Ranges

Setting Range (bar)	Adjustable differential (bar)	Permissible switch point on rising pressure (bar)
-0.2 ... 7.5	0.7 ... 4	0.5 ... 7.5
1 ... 10	0.7 ... 4	1.7 ... 10
2 ... 14	1 ... 4	3 ... 14
5 ... 32	2 ... 6	7 ... 32
0 ... -1	0.2 ... 0.5	-0.2 ... -1

* Above pressure ranges are dual scale in bar and psi.

Available Connections

Thread Type & Size	Code
G ¼ female	F4
G ¼ B	G4
¼ flare	U4

Options

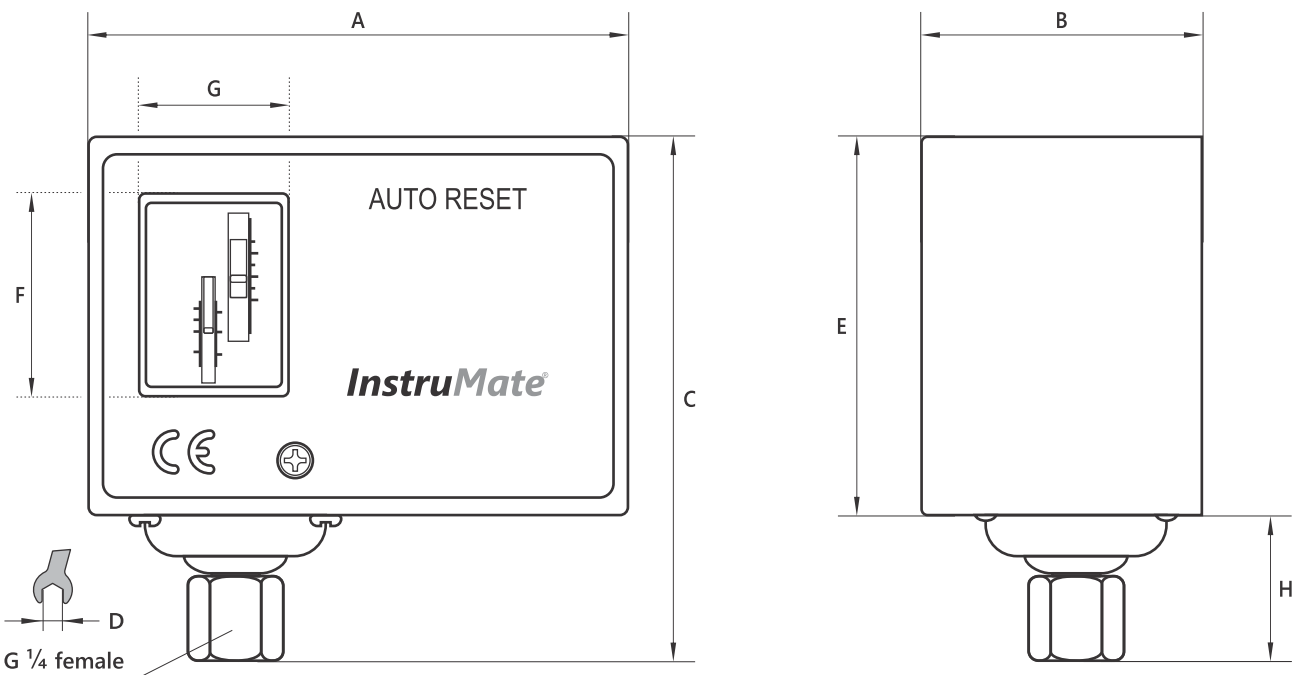
- ✓ Pressure connections per customer request
- ✓ Mpa pressure scale

Accessories



Included in the delivery

Dimensions (in mm)



A	B	C	D	E	F	G	H	KG
79	47	93	17	63	33	25	30	0.4

How To Order

	Product Group Name	Model	Connection	Pressure Range	Options
Example:	Switch-Mate	221	U4	-0.2 ... 7.5 bar	-

Or simply order by item number on the basis of your previous purchases.

InstruMate®

InstruMate Co, Limited

www.Instrumate.com | info@Instrumate.com